

# SHADOWSPEC<sup>®</sup>

LUXURY UMBRELLA SYSTEMS



[www.hlstoneworld.com.au](http://www.hlstoneworld.com.au)

# SHADOWSPEC®

LUXURY UMBRELLA SYSTEMS



## CONTENTS

Page

### SU3

Wall Mounted Umbrella



4-5

### SU5

Centre Post Café/Market Umbrella



6-7

### SU6

Cantilever Umbrella  
*(Up to four umbrellas on one mast)*



8-13

### SU7

Cantilever Umbrella  
*(360° rotation)*



14-19

### SU8

Cantilever Shade Umbrella  
*(High wind capability)*



20-23

# SU3

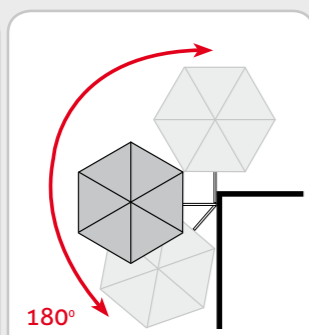
Wall Mounted Umbrella



## UNIQUE FEATURES - SU3



Telescopic arm



Swings horizontally



Tilt function

- Manufactured from top quality anodised aluminium, stainless steel and other non-corrosive materials
- Patented 'Easy Opening System'
- Telescopic Arm – 1.40m out to 1.80m
- Umbrella can swing horizontally
- Umbrella can tilt 10°

# SU3

Wall Mounted Umbrella

## FABRIC - SU3

**Premium Olefin 'COSLAN':**  
100% solution dyed

**Weight:** 190 g/m<sup>2</sup>  
**Colourfastness:** 6-7/8  
**Shade Rating:** UPF 40+

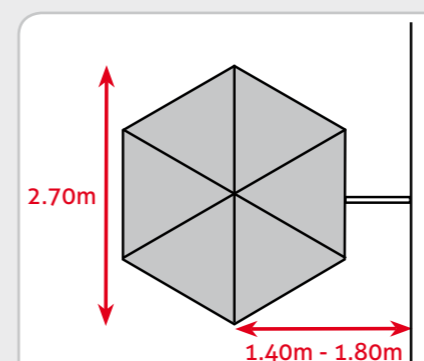
**Water repellent**  
**Maintenance:** All fabrics can be washed and replaced

## COLOURS - SU3

Please note - actual colours may vary slightly from examples printed in catalogue



## SIZE - SU3



HEXAGON

## ACCESSORIES - SU3

STANDARD



**WALL BRACKET**  
Aluminium bracket for wall mounting

STANDARD



**PROTECTION COVER**  
Protects the umbrella from the weather when not in use

## PRODUCT VIDEO - SU3



To view the SU3 in operation scan this QR code on your smartphone or go to [www.shadowspec.com.au](http://www.shadowspec.com.au)

## WARRANTIES\* - SU3



\*Conditions apply

# SU5

Centre Post Café / Market Umbrella



## UNIQUE FEATURES - SU5



Premium materials, elegant design



Finger-safe quick release system for easy operation



Manual telescopic height adjuster

- Manufactured from top quality anodised aluminium, stainless steel and other non-corrosive materials
- Elegant and modern design
- Telescopic Pole up to 2.40m
- Light and easy to use
- Perfect match with the SU3 Umbrella

# SU5

Centre Post Café / Market Umbrella

## FABRIC - SU5

**Premium Olefin 'COSLAN':**  
100% solution dyed

**Weight :** 190 g/m<sup>2</sup>  
**Colourfastness:** 6-7/8  
**Shade Rating:** UPF 40+

**Water repellent**  
**Maintenance:** All fabrics can be washed and replaced

## COLOURS - SU5

Please note - actual colours may vary slightly from examples printed in catalogue



## SIZE - SU5



HEXAGON

## ACCESSORIES - SU5

STANDARD



**PROTECTION COVER**  
Protects the umbrella from the weather when not in use

OPTIONAL



**UMBRELLA BASE**  
Portable base for the umbrella to stand in

## PRODUCT VIDEO - SU5



To view the SU5 in operation scan this QR code on your smartphone or go to [www.shadowspec.com.au](http://www.shadowspec.com.au)

## WARRANTIES\* - SU5



\*Conditions apply

# SU6

## Cantilever Umbrella

(Up to four umbrellas on one mast)



### UNIQUE FEATURES - SU6

- Manufactured from marine-grade powder-coated aluminium, stainless steel and other non-corrosive materials
- Durable, Heavy duty, Multi-mount mast – Up to 4 umbrellas on one mast
- Patented 'One Movement' Sliding System
- Octagon or Square Umbrellas
- Covers up to 38m<sup>2</sup>
- Utilises Gas-strut technology for ease of deployment

SU6 MAST



# SU6

## Cantilever Umbrella

(Up to four umbrellas on one mast)

### UNIQUE FEATURES - SU6 Cont...



#### GAS STRUT

Thanks to the Gas Strut, which compensates the weight of the umbrella, the SU6 Umbrella is ultra light to handle. For locations close to the sea, we recommend a stainless steel gas-strut option.



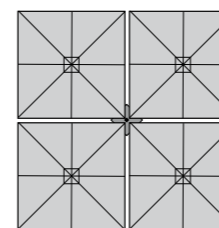
#### QUICK-RELEASE SLIDING SYSTEM

The patented 'One Movement' Sliding System enables the umbrella to be opened and closed easily in one single movement.

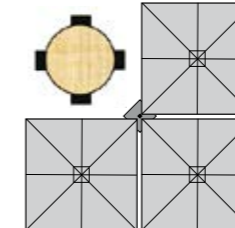
#### 'UP TO 4 UMBRELLAS ON ONE MAST'

The Shadowspec SU6 Umbrella consists of 1, 2, 3 or 4 umbrellas on one mast. Each umbrella can be operated individually. You choose where you want shade or sun! This makes the SU6 Umbrella an ideal gastronomy partner. For example the following configurations show some of the possibilities for an SU6 Square Quattro:

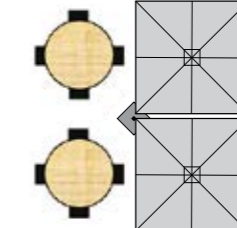
EXAMPLE 1  
4 umbrellas up



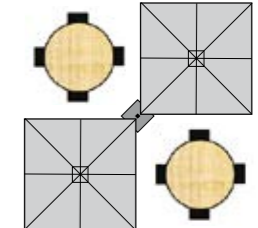
EXAMPLE 2  
3 umbrellas up



EXAMPLE 3  
2 umbrellas up



EXAMPLE 4  
2 umbrellas up



### PRODUCT VIDEO - SU6



To view the SU6 in operation scan this QR code on your smartphone or go to [www.shadowspec.com.au](http://www.shadowspec.com.au)

### WARRANTIES\* - SU6



\*Conditions apply

# SU6

## Cantilever Umbrella

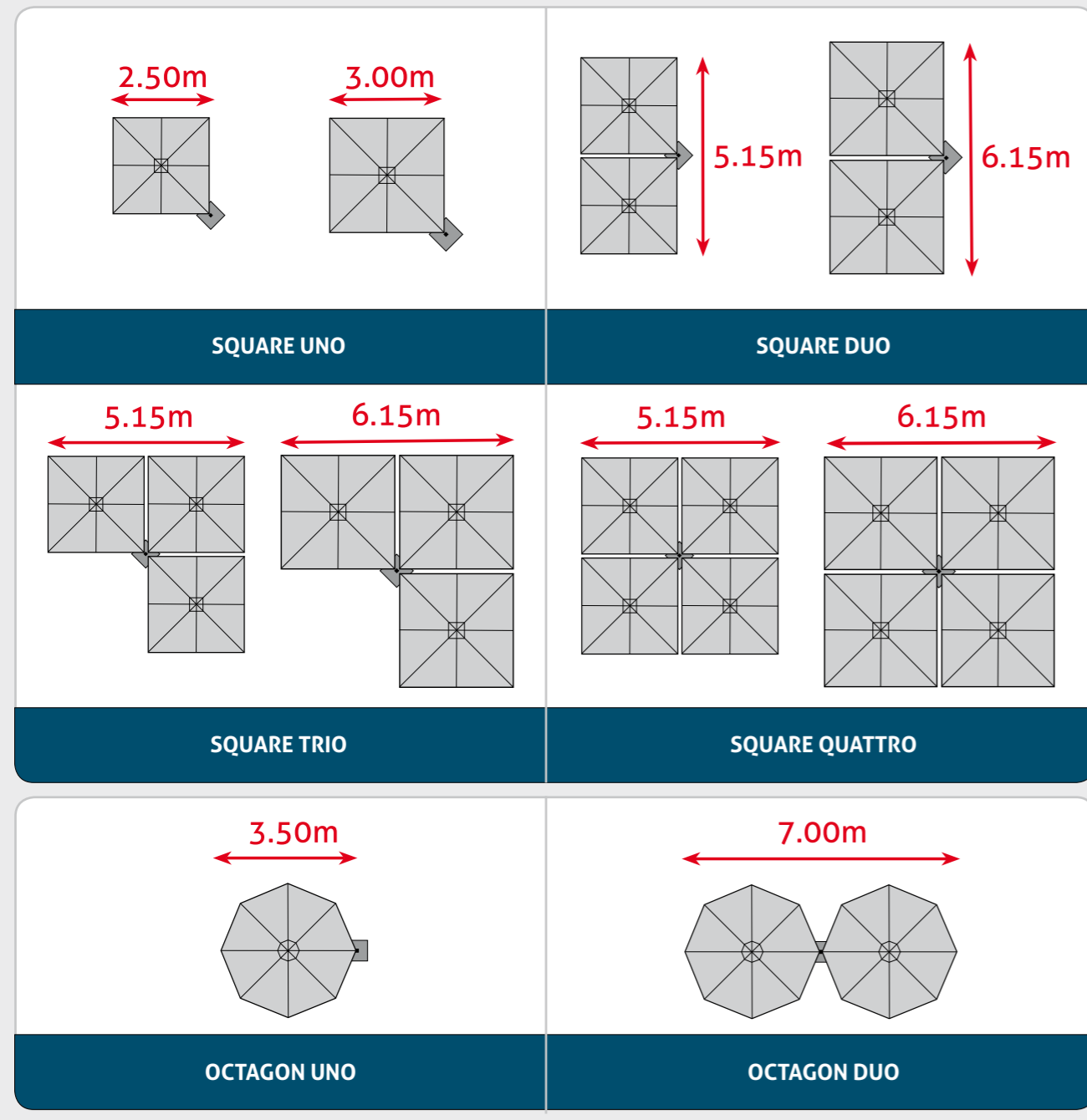
(Up to four umbrellas on one mast)



### SIZE & CONFIGURATION - SU6

**SQUARE UMBRELLA** - 2.5m x 2.5m  
- 3.0m x 3.0m

**OCTAGON UMBRELLA** - 3.5m Diameter



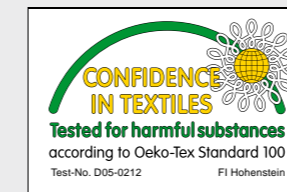
# SU6

## Cantilever Umbrella

(Up to four umbrellas on one mast)

### FABRIC - SU6

**Premium DICKSON Acrylic:** 100% solution dyed  
**Weight:** 290 g/m<sup>2</sup>  
**Colourfastness:** 7-8/8  
**Water proof rating:** >300mm water column  
**Maintenance:** All fabrics can be washed and replaced



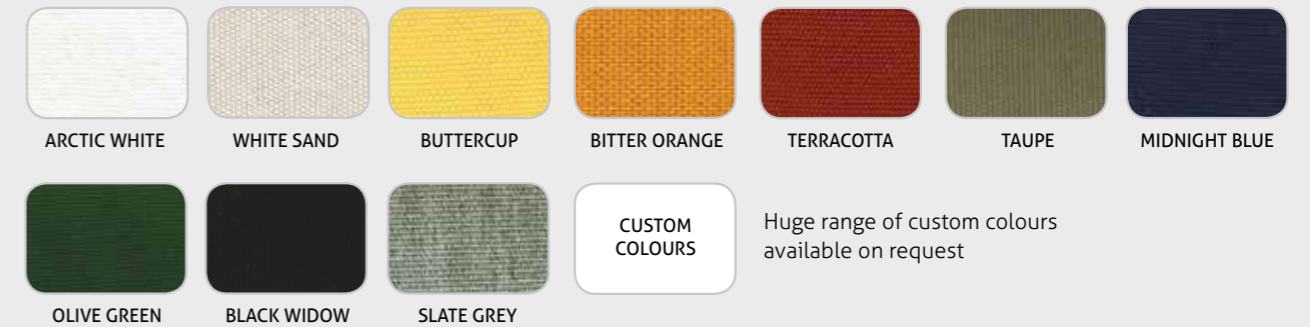
This label certifies that the fabrics do not contain any toxic substances and do not present any health, skin or environmental hazards (OEKOTEX 100)



The Skin Cancer foundation recommends Dickson Acrylic as a part of your complete sun protection regime, including regular use of sunscreen.

### COLOURS - SU6

Please note - actual colours may vary slightly from examples printed in catalogue



### Shade Rating: UPF 50+

Today everyone is preoccupied by the need to protect themselves from the sun's UV rays. This protection also contributes to our comfort and promotes good health.

All Shadowspec SU6 standard colours filter almost 100% of the UV rays except the colours Arctic White & White Sand which filter 95% of the UV rays.



# SU6

Cantilever Umbrella  
(Up to four umbrellas on one mast)



## ACCESSORIES - SU6

STANDARD



**PROTECTION COVER**  
Protects the umbrella from the weather when not in use

OPTIONAL



**LED LIGHT**  
A six power LED Light can be fitted in the centre hub of each umbrella and simply operated with the small remote control provided. This option must be confirmed at time of ordering – it cannot be added retrospectively. Wiring is concealed within the frame. Can be permanently connected to an external 240V power supply via the Control Box Unit (provided) or alternatively, can be powered using a 12V battery. Any 240V wiring must be connected and certified by a qualified electrician.

**RAIN GUTTER**  
Adjoining square umbrellas can be connected with removable rain gutters to increase weatherproof area.



# SU6

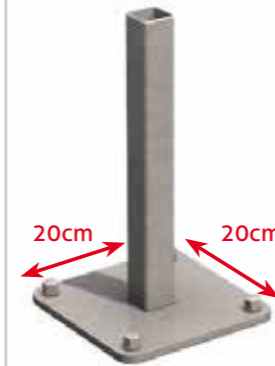
Cantilever Umbrella  
(Up to four umbrellas on one mast)

## FIXATIONS - SU6

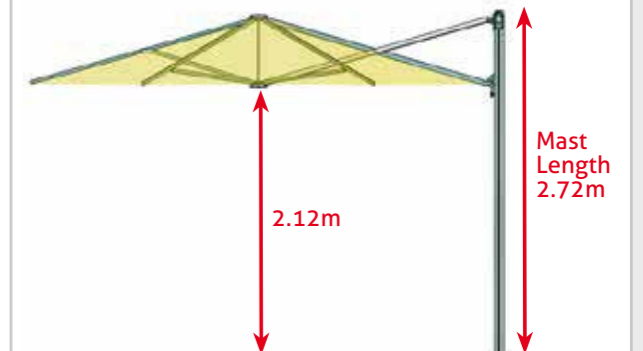
### GROUND FIXINGS



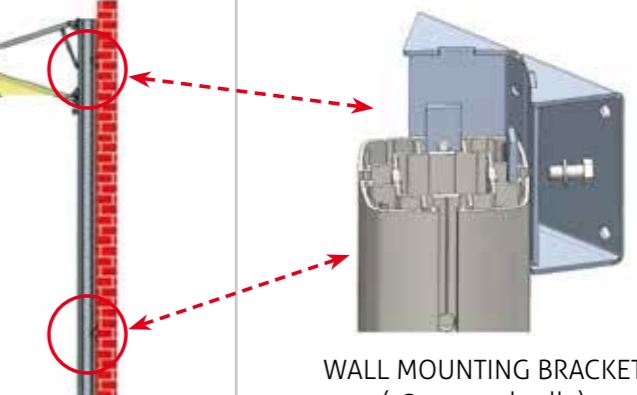
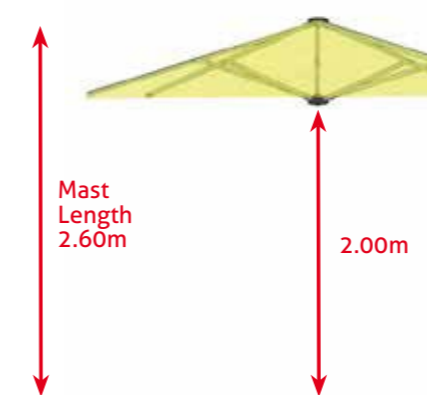
IN-GROUND ANCHOR



SURFACE PLATE



### WALL FIXING



WALL MOUNTING BRACKET  
(x2 per umbrella)

*NOTE: This wall fixing option is only suited to SU6 SQUARE UNO and SU6 SQUARE DUO configurations.*

# SU7

Cantilever Umbrella  
(360° Rotation)



## UNIQUE FEATURES - SU7

- Manufactured from marine-grade powder-coated aluminium, stainless steel and other non-corrosive materials
- Patented 'One Movement' Sliding System
- Octagon or Square Umbrella
- Umbrella rotates 360°
- Durable, Heavy duty mast
- Utilises Gas-strut technology for ease of deployment



## UNIQUE FEATURES - SU7 Cont...



### GAS STRUT

Thanks to the Gas Strut, which compensates the weight of the umbrella, the SU7 Umbrella is ultra light to handle. For locations close to the sea, we recommend a stainless steel gas-strut option.

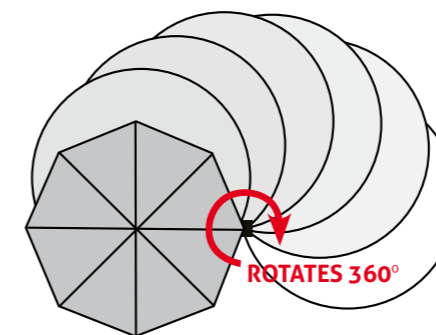


### QUICK-RELEASE SLIDING SYSTEM

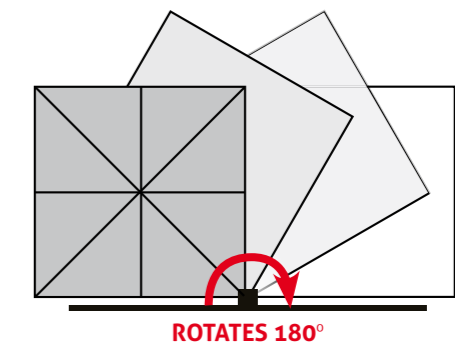
The patented 'One Movement' Sliding System enables the umbrella to be opened and closed easily in one single movement.

## ROTATING - SU7

### GROUND MOUNTED (Square or Octagon)



### WALL MOUNTED (Square or Octagon)



## PRODUCT VIDEO - SU7



To view the SU7 in operation scan this QR code on your smartphone or go to [www.shadowspec.com.au](http://www.shadowspec.com.au)

## WARRANTIES\* - SU7



\*Conditions apply



# SU7

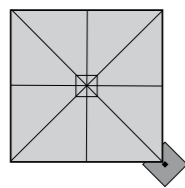
Cantilever Umbrella  
(360° Rotation)



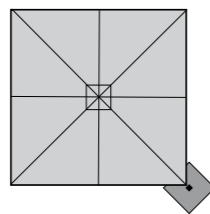
## SIZE & CONFIGURATION - SU7

**SQUARE UMBRELLA** - 2.5m x 2.5m  
- 3.0m x 3.0m

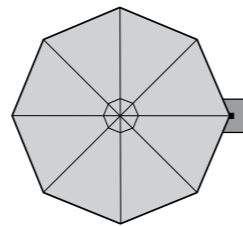
**OCTAGON UMBRELLA** - 3.5m Diameter



2.5m SQUARE



3.0m SQUARE



3.5m OCTAGON



# SU7

Cantilever Umbrella  
(360° Rotation)

## FABRIC - SU7

**Premium DICKSON Acrylic: 100% solution dyed**

**Weight:** 290 g/m<sup>2</sup>

**Colourfastness:** 7-8/8

**Water proof rating:** >300mm water column

**Maintenance:** All fabrics can be washed and replaced



EASY CARE



FADE RESISTANT



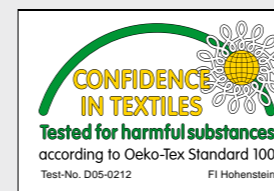
HIGH UV PROTECTION



MOLD RESISTANT



WATER REPELLANT & STAIN RESISTANT



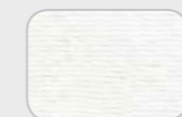
This label certifies that the fabrics do not contain any toxic substances and do not present any health, skin or environmental hazards (OEKOTEX 100)



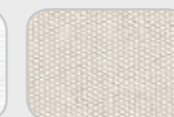
The Skin Cancer foundation recommends Dickson Acrylic as a part of your complete sun protection regime, including regular use of sunscreen.

## COLOURS - SU7

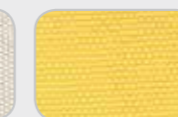
Please note - actual colours may vary slightly from examples printed in catalogue



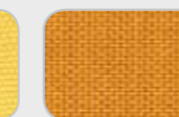
ARCTIC WHITE



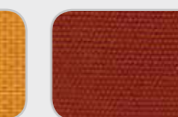
WHITE SAND



BUTTERCUP



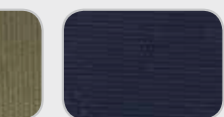
BITTER ORANGE



TERRACOTTA



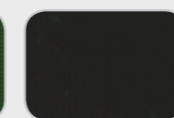
TAUPE



MIDNIGHT BLUE



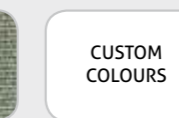
OLIVE GREEN



BLACK WIDOW



SLATE GREY



CUSTOM COLOURS

Huge range of custom colours available on request

### Shade Rating: UPF 50+

Today everyone is preoccupied by the need to protect themselves from the sun's UV rays. This protection also contributes to our comfort and promotes good health.

All Shadowspec SU7 standard colours filter almost 100% of the UV rays except the colours Arctic White & White Sand which filter 95% of the UV rays.



# SU7

Cantilever Umbrella  
(360° Rotation)



# SU7

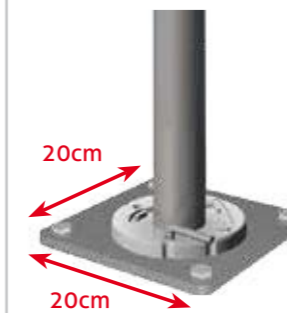
Cantilever Umbrella  
(360° Rotation)

## FIXATIONS - SU7

### GROUND FIXINGS



IN-GROUND ANCHOR



SURFACE PLATE



PORTABLE BASE  
Note: Requires concrete pavers (not supplied) for anchoring weight

### WALL FIXING

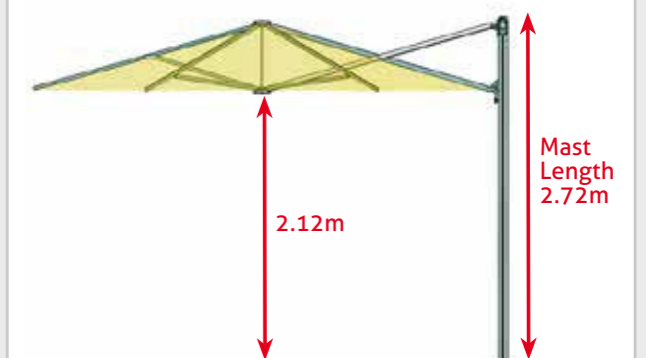


NOTE: When fixing the SU7 to a wall, rotation of the umbrella is limited to 180°



Top

Bottom



## ACCESSORIES - SU7

### STANDARD



**PROTECTION COVER**  
Protects the umbrella from the weather when not in use

### OPTIONAL



#### LED LIGHT

A six power LED Light can be fitted in the centre hub of each umbrella and simply operated with the small remote control provided. This option must be confirmed at time of ordering – it cannot be added retrospectively. Wiring is concealed within the frame. Can be permanently connected to an external 240V power supply via the Control Box Unit (provided) or alternatively, can be powered using a 12V battery. Any 240V wiring must be connected and certified by a qualified electrician.

# SU8

Cantilever Shade Umbrella  
(High wind capability)



Wind Tunnel Tested  
**90 km/h**

VIEW TEST VIDEO:  
Scan this QR code on your  
smartphone or go to  
[www.shadowspec.com.au](http://www.shadowspec.com.au)





## UNIQUE FEATURES - SU8

- Manufactured from top quality anodised aluminium, stainless steel and other non-corrosive materials
- Umbrella tilts vertically – Unlimited positions
- Umbrella rotates 360°
- Durable, Heavy duty mast
- Solid-core fiberglass umbrella ribs – high wind resistance

SU8 MAST



# SU8

Cantilever Shade Umbrella  
(High wind capability)

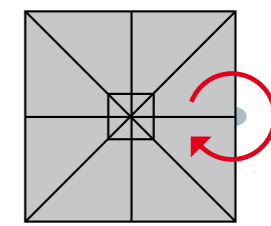
## UNIQUE FEATURES - SU8 Cont...



Quick-release  
sliding system

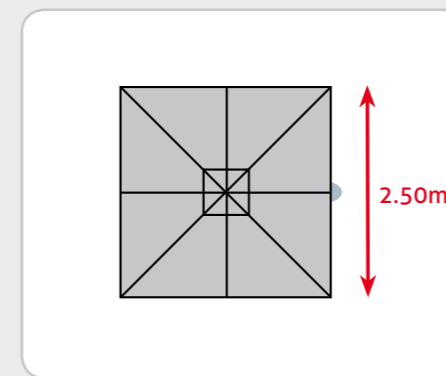


**FIBREGLASS RIBS**  
These improve performance in  
high wind conditions



**ROTATING**  
360° Rotation

## SIZE - SU8



## UMBRELLA TILT - SU8



## PRODUCT VIDEO - SU8



To view the SU8 in operation scan this QR code on  
your smartphone or go to [www.shadowspec.com.au](http://www.shadowspec.com.au)

## WARRANTIES\* - SU8



\*Conditions apply

# SU8

## Cantilever Shade Umbrella

(High wind capability)



VIEW TEST VIDEO:  
Scan this QR code on your  
smartphone or go to  
[www.shadowspec.com.au](http://www.shadowspec.com.au)



### FABRIC - SU8

**Premium SUNBRELLA Acrylic: 100% solution dyed**

**Weight:** 270 g/m<sup>2</sup>

**Colourfastness:** 7-8/8

**Water proof rating:** >300mm water column

**Maintenance:** All fabrics can be washed and replaced

**Shade Rating:** UPF 50+



This label certifies that the fabrics do not contain any toxic substances and do not present any health, skin or environmental hazards (OEKOTEX 100)



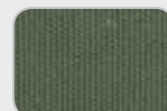
The Skin Cancer foundation recommends Sunbrella Acrylic as a part of your complete sun protection regime, including regular use of sunscreen.

### COLOURS - SU8

Please note - actual colours may vary slightly from examples printed in catalogue



LAGOON



GRANITE



CANVAS

CUSTOM COLOURS

Huge range of custom colours available on request

# SU8

## Cantilever Shade Umbrella

(High wind capability)

### MAST OPTIONS - SU8



**Note:**  
Umbrella mast does not adjust from vertical to leaning. When ordering, choose between one fixed mast position or the other.

### FIXATION (Standard) - SU8



Every SU8 Umbrella includes its own rotating Base Plate and the removable Pole Spigot of your choice (either vertical or forward-leaning).

The rotating Base Plate is designed to be securely bolted on to a hard surface such as concrete or a wooden deck.

The Pole Spigot is then fastened onto the Base Plate allowing the Umbrella to rotate.

**Note:** An In-ground Mounting is also available (see Optional Accessories below)

### ACCESSORIES - SU8

#### STANDARD



**PROTECTION COVER:**  
Protects the umbrella from the weather when not in use

#### OPTIONAL



**IN-GROUND MOUNTING:**  
To be secured into concrete.

Rotating Base Plate fastens on top.

# SHADOWSPEC<sup>®</sup>

LUXURY UMBRELLA SYSTEMS



190 McIntyre Road  
Sunshine North  
Melbourne, VIC 3020  
Ph: (03) 9356 9101  
Fax: (03) 9310 8020  
Email: [harry@hlstoneworld.com.au](mailto:harry@hlstoneworld.com.au)  
[www.hlstoneworld.com.au](http://www.hlstoneworld.com.au)